



3" Vibrating Mechanical Bells

Features

- Made in the USA
- Efficient solenoid operation
- Steel construction

Description

Tecumseh Signals LLC vibrating mechanical bells are built to meet the needs of the transportation industry. These units are for surface mounting and have recessed screw terminals for wiring connections.



Ordering Information

Model	Description	Voltage	Current*	dBA**	Color
MS2473012DC	Vibrating 3" Bell	12 VDC	0.5 A	95	Gray
MS2473024DC	Vibrating 3" Bell	24 VDC	0.25 A	95	Gray
MS2473032DC	Vibrating 3" Bell	32 VDC (32-45VDC)	0.19 A	95	Gray
MS2473075DC	Vibrating 3" Bell	75 VDC (58-86VDC)	0.09 A	95	Gray

* at nominal voltage

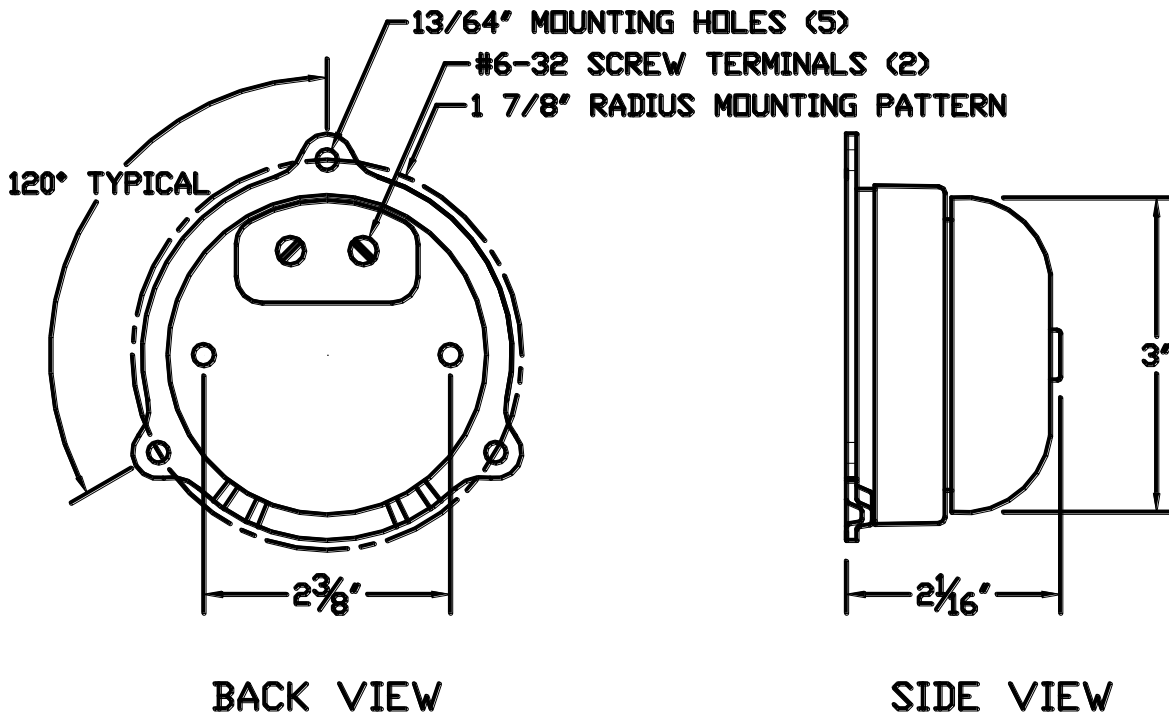
** @1/2 meter

Please contact factory for any special design considerations .

Specifications

Electric Coil: Coated with protective varnish
Mechanism: Solenoid driven for efficiency and sound output
Insulation: Withstands up to 1500 volts RMS for 1 minute
Contacts: Coin silver
Contact Springs: Phosphor bronze
Material: Steel, frame, cover, and gong
Finish: Powder coat

Dimensions and Connections



Tecumseh Signals, LLC
805 S. Maumee St.
Tecumseh, MI 49286
Tel: 517-301-2064 Fax: 517-301-2068
Web: www.TecumsehSignals.com

1/10/2011

Warning- The information contained in this document is intended only as a summary and is subject to change with out notice. The devices described in this document have specific instruction sheets which cover various technical, limitations and liability information. Copies of these instruction sheets are provided with the product and are available from the Manufacturer. Information contained in these documents should be consulted before specifying or using the product. For further information or assistance concerning particular problems contact Manufacturer.

MS-1