



Electronic Monitoring and Transportation Bells

Features

- Very low current draw
- No electrical contacts
- No electrical noise to suppress
- Input is transient protected
- Surface mounting
- Electronic replacement for mechanical 3" and 4" monitoring bells



Description

Tecumseh Signals LLC electronic bells are built to meet the needs of the transportation industry. These units are for surface mounting and have recessed terminals for wiring connections. The enclosures of ES247-xx series are made from an UL94-V0 grade of polycarbonate material. The ES257-xx series are made from an FST grade of polycarbonate material. Both series are impact resistant.

Ordering Information

Model	Description	Voltage	Current	dBA*	Color	FST Polycarbonate
ES247-1	Vibrating Bell	12-24 DC	15 ma	90	Pebble	NO
ES257-32	Vibrating Bell	32-42 DC	15ma	90	Gray	YES
ES257-75	Vibrating Bell	66-75 DC	15ma	90	Gray	YES
TBA	Single Stroke Bell	12-24 DC	TBD		Pebble	NO
TBA	Single Stroke Bell	32-42 DC	TBD		Gray	YES

* nominal @1/2 meter at rated voltage

Please contact factory for any special design considerations and adapter plates for mounting to various mounting configurations.

Specifications

Operates from -20% to +10% of rated voltage

Enclosure material:

ES247-xx units: UL 94V0 grade polycarbonate flame retardant case

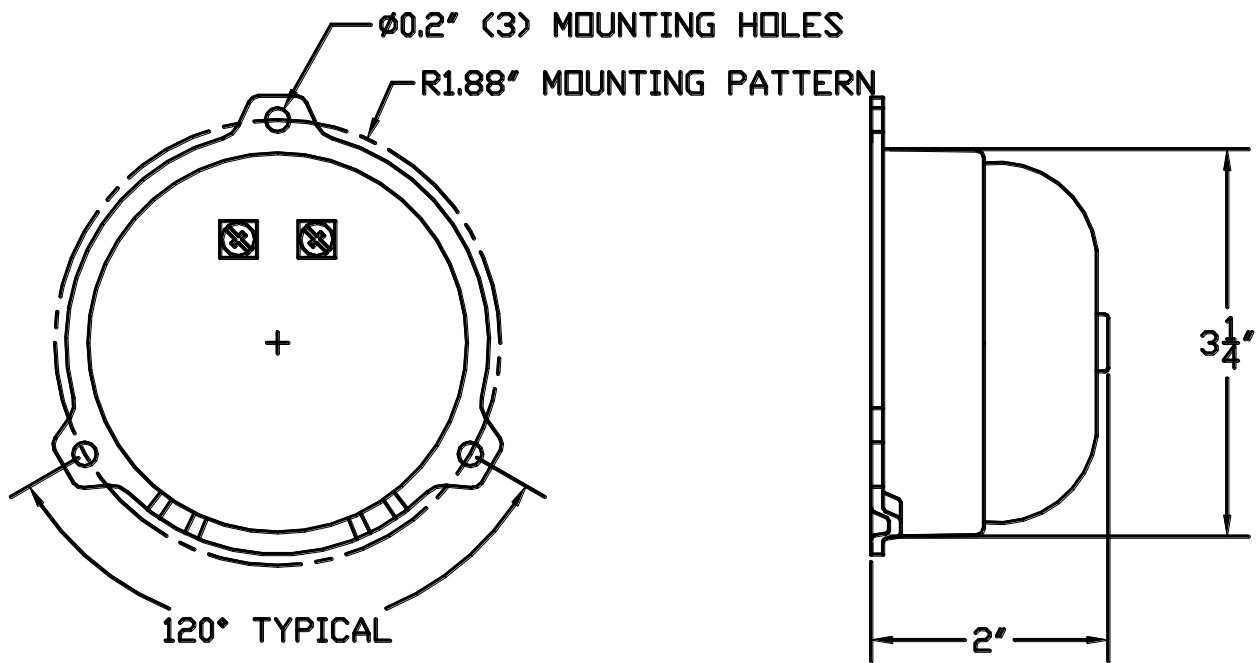
ES257-xx units: FST grade polycarbonate case

Connections for wiring:

Two, #6 Screws with washer and lock washer supplied.

For use in dry areas unless otherwise specified.

Dimensions and Connections



Tecumseh Signals, LLC
805 S. Maumee St.
Tecumseh, MI 49286
Tel: 517-301-2064 Fax: 517-301-2068
Web: www.TecumsehSignals.com

7/1/2011

Warning- The information contained in this document is intended only as a summary and is subject to change with out notice. The devices described in this document have specific instruction sheets which cover various technical, limitations and liability information. Copies of these instruction sheets are provided with the product and are available from the Manufacturer. Information contained in these documents should be consulted before specifying or using the product. For further information or assistance concerning particular problems contact Manufacturer.

ES-3D